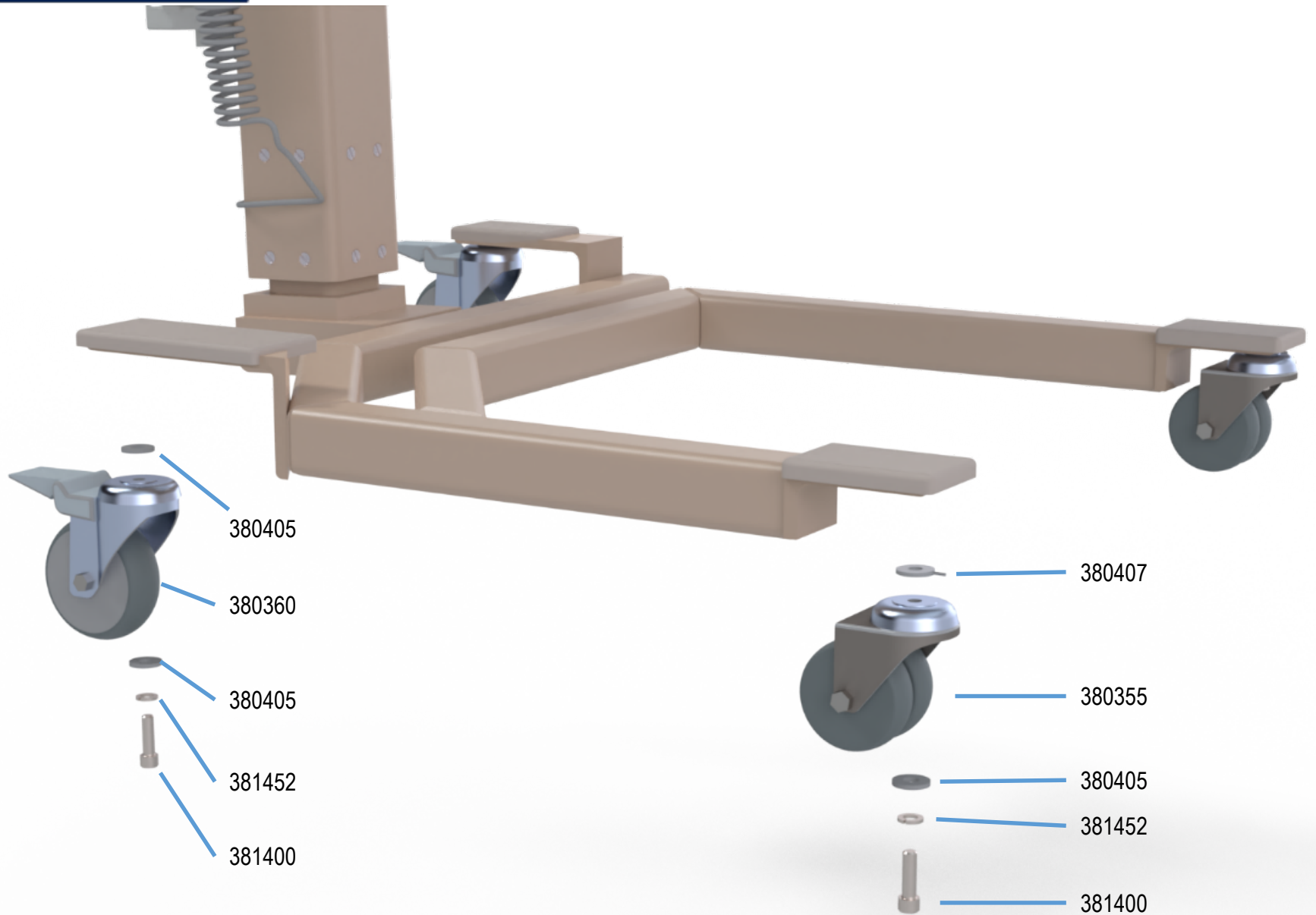


# Standard Lift Caster Mounting Breakdown



Part Number	Description
380405	Flat Washer 3/8 x 1/8 THK
380360	Caster Rear Total Lock
381452	Lock Washer 3/8
381400	Screw 3/8-16 x 1 ¼
380407	Washer alignment complete
380355	Caster-Front Swivel non-braked