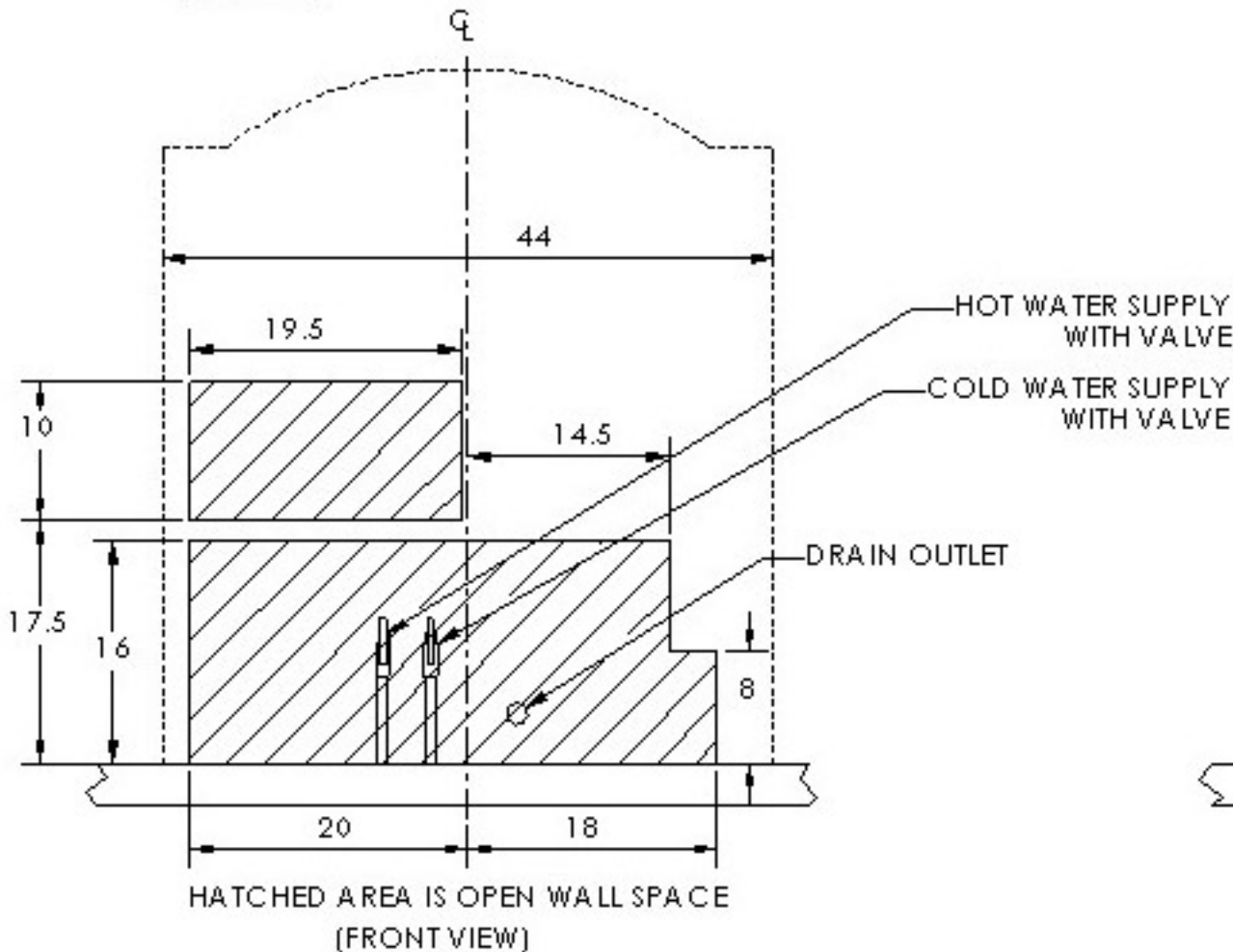
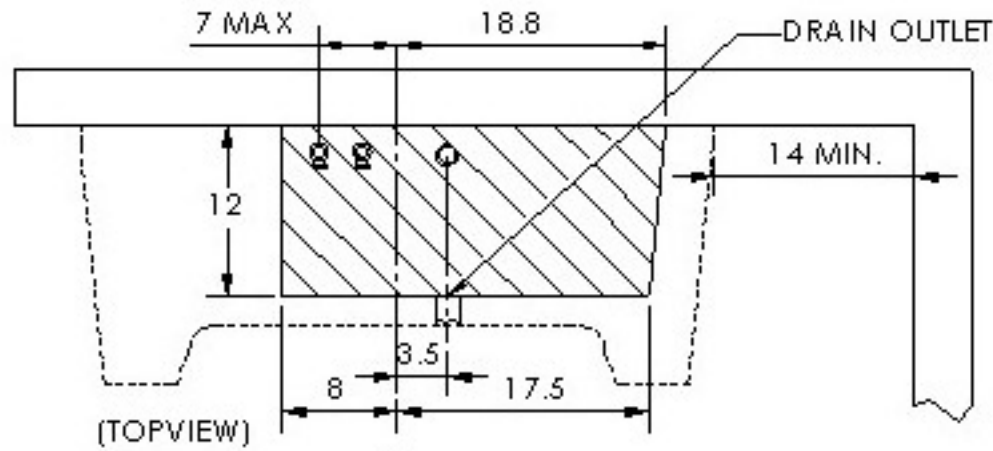


PENNER CASCADE - COMFORT (LH) ROUGH-IN SPECIFICATIONS

HATCHED AREA IS OPEN FLOOR SPACE.



ELECTRICAL REQUIREMENTS: 2 X 4 BOX LOCATED WITHIN THE OPEN WALL SPACE SHOWN IN THE FRONT VIEW.
1.5 AMP GFCI PROTECTED CIRCUIT.
TUB RATING: 9.25 AMPS 120 VOLTS, 60 HZ
TO BE CONNECTED ONLY BY LICENSED ELECTRICIAN.

WATER SUPPLY: 3/4" HW AND CW WITH SUPPLY VALVES - NOT SUPPLIED.
BRAIDED STAINLESS STEEL SUPPLY HOSES ARE SUPPLIED.

DRAIN: 1 1/2" MINIMUM - FROM FLOOR OR WALL BELOW THE TUB OUTLET LEVEL.
TO BE CONNECTED ONLY BY LICENSED PLUMBER.

