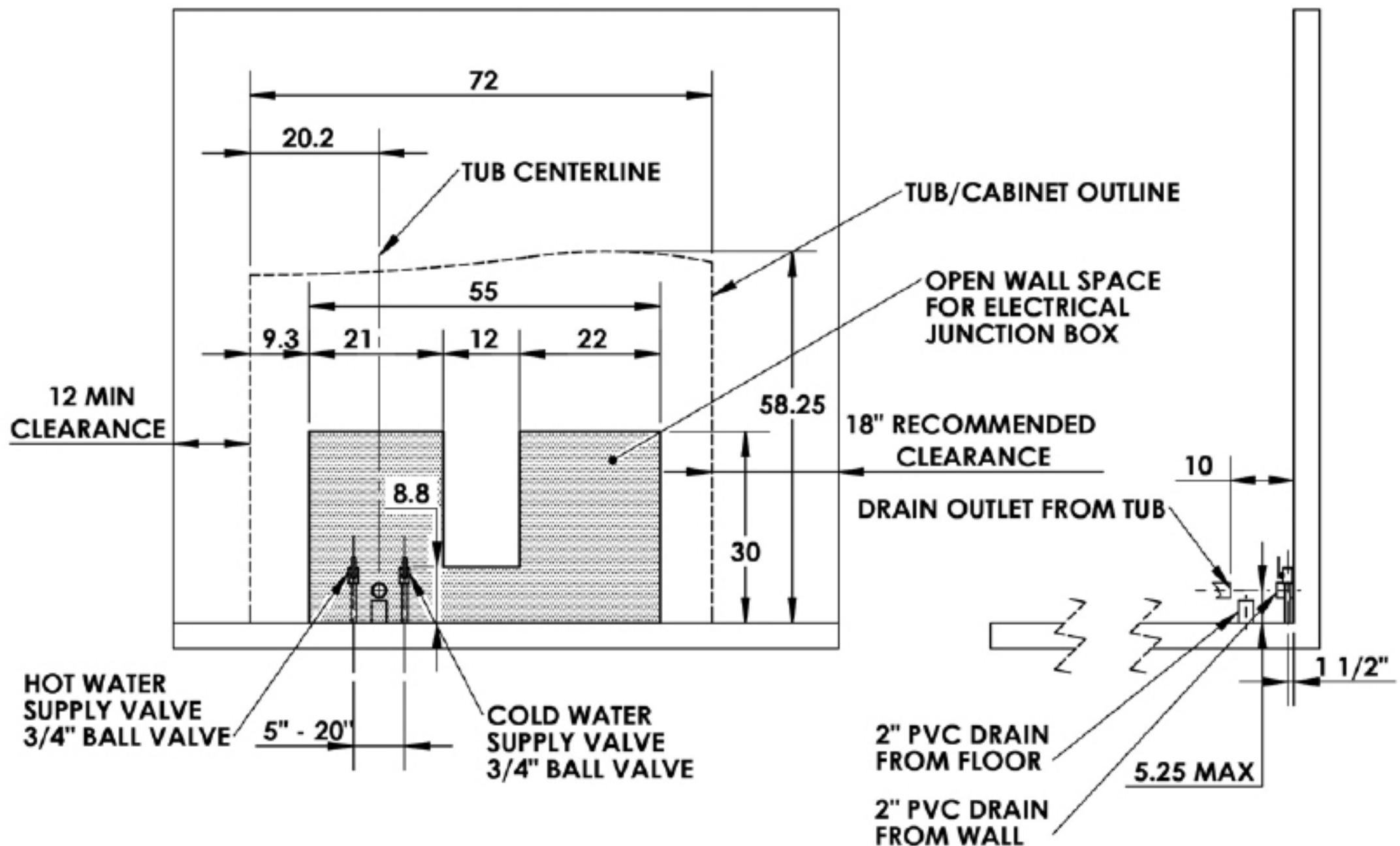


PENNER MFG INC. CASCADE CONTOUR SPA RIGHT HAND UNIT ROUGH-IN SPECIFICATIONS

Water Supply: 3/4" HW & CW Supply lines preferred
with ball valves with male 3/4 npt threads (not supplied)
(72" FLEXIBLE STAINLESS STEEL BRAIDED CONNECTING LINES SUPPLIED)

Drain: 2" PVC pipe from floor or wall as shown below.
(P-trap not supplied)

Tub Electrical Rating: 120 Volts 7.25 Amps
(9.5 Amps with swivel lift tub option)
Recommended Electrical Supply: 15 Amp with GFCI protection
(Nuisance tripping may occur if the wiring is too light for the distance between the breaker and the spa.)



NOTE: FOR LEFT HAND UNITS, CONTACT PENNER MFG. FOR ROUGH IN SPECIFICATIONS